



Product description

The air heater model 3000-E is available in two versions: as switching device with 3 heating stages with 230 V AC and as electronic design with infinitely variable temperature setting with 230 V AC or 400 V RC. The heat output amounts to 3000 W and reaches a maximum temperature of 700 °C. The air heater model 3000-E is connected

to an external air supply and is therefore suited for continuous operation. Air heaters are mounted on conveyor belts and in machines. In addition, they are used in heating ducts and on different types of appliances. If required, the air discharge can be changed by means of different slip-on nozzles.

FORSTHOFF Air heater Model 3000E

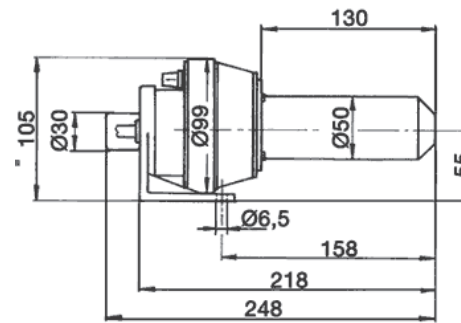
The modern air heaters for many applications.

Technical specifications

Model	3000 E 230 V, switchable in 3 stages
Heating element	3000 W 230 V, item No. 3060
Weight	1.000 kg
Dimensions	Length 250 mm, diameter 98 mm, height 100 mm
Model	3000 E 230 V electronically adjustable
Heating element	3000 W 230 V, item No. 3060
Weight	1.000 kg
Dimensions	Length 250 mm, diameter 98 mm, height 100 mm
Model	3000 E 400 V electronically adjustable
Heating element	3000 W 400 V, item No. 3061
Weight	1.000 kg
Dimensions	Length 250 mm, diameter 98 mm, height 100 mm

Areas of applications

- Packaging industry
- Wine and spirits bottling plants
- Mechanical engineering
- Conveyors and materials handling technology



Accessories



Item No. 4021
Wide slot nozzle
150 x 1 mm



Item No. 4022
Wide slot nozzle 150
x 10 mm



Item No. 4030
Wide slot nozzle
70 x 10 mm



Item No. 4031
Wide slot nozzle
70 x 4 mm