

# Canopy Hoods

**Canopy Hoods are designed to collect and exhaust corrosive vapors, heat, steam and odors when mounted over areas with water baths, hot plates or portable equipment.**

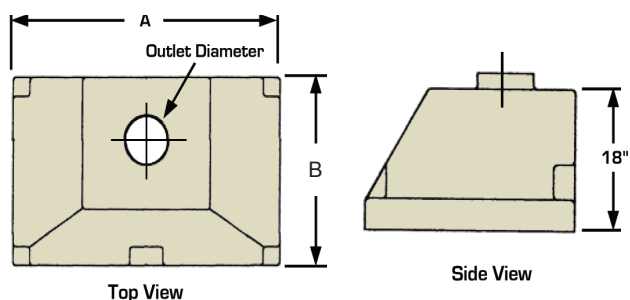
Manufactured from chemical resistant composite materials, Canopy hoods are lightweight and can be wall-mounted or suspended from the ceiling over island locations.

The Canopy Fume Hood's glass smooth surfaces provide superior chemical, corrosion and heat resistance. Uniflow technology provides uniform air flow with less turbulence.

Optional side panels prevent cross drafts and further improve airflow while providing a way to contain chemical spills.



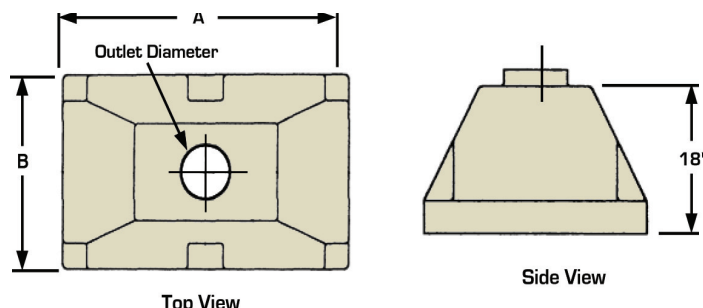
## Wall Canopy Hoods



"A" Width	36"	48"	72"	96"
"B" Dimension	30"	30"	30"	30"
Outlet Diameter	6"	8"	10"	(2)10"
Cat. No.	13030	13040	13060	13080
Stainless Steel	13130	13140	13160	13180

**Wall Canopy Hood Mounting Kit** Comes with all components to secure the canopy hood to a wall.  
**Cat. No. 23002**

## Island Canopy Hoods



"A" Width	36"	48"	72"	96"
"B" Dimension	24"	30"	30"	30"
Outlet Diameter	6"	8"	10"	(2)10"
Cat. No.	23030	23040	23060	23080
Stainless Steel	23130	23140	23160	23180

**Suspended Canopy Hood Mounting Kit** Comes with four 10' vinyl coated aircraft suspension cables with eyebolts and hardware.  
**Cat. No. 23001**

## Canopy Hood Accessories

**Vapor Proof light fixture.** Factory wired with switch and junction box. All components are U.L listed.

**Cat. No. 50035**

**Blower Switch** Blower switch 15 amp, mounted center front of hood. All components are U.L. and C.S.A. approved.

**Cat. No. 50028**

**Heavy Duty Vinyl Canopy Walls** reduce cross drafts and turbulence that hamper hood efficiency. Available in solid curtains or strips.

**Cat. No. 23007**

**Cat. No. 23008**

# Canopy Hoods

Corner Canopy Hoods fit into corners to optimize your work area or space, for collection and exhaust of corrosive vapors, heat, steam, and odors when mounted above areas with hot plates, portable equipment, or water baths.



## Corner Canopy Hood

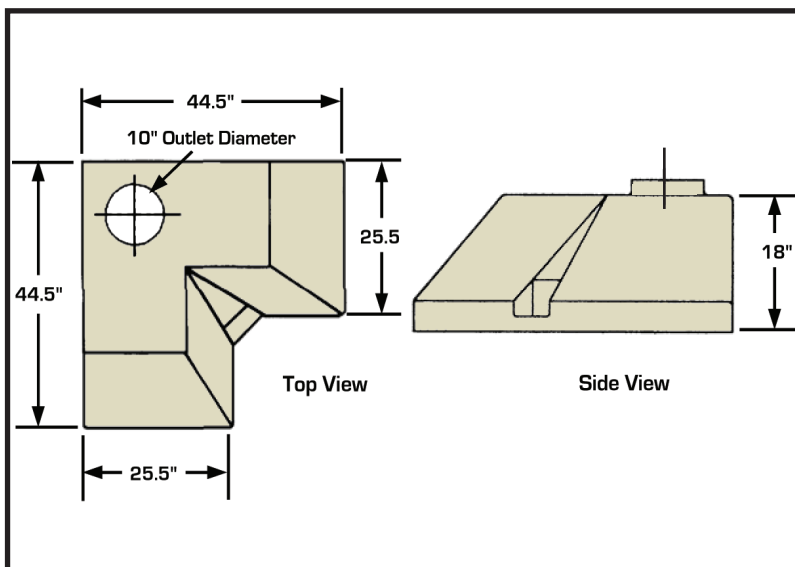
Molded one piece seamless, of chemical resistant lightweight nonmetallic composite resin.

**Cat. No. 13000**

- Corner Composite Resin Work surface  
Comes dished to contain spillage  
Color: Gray  
**Cat. No. 13503**

- Corner Table  
Features welded steel construction, with chemical resistant powder coat finish  
**Cat. No. 13502**

- Corner Canopy Wall Mounting Kit  
Comes with all components to secure the canopy hood to the walls  
**Cat. No. 23003**



## Corner Canopy Accessories

- Vapor Proof Light - Incandescent light fixture. Factory wired with switch and junction box.  
**Cat. No. 50035**
- Blower Switch - Mounted center front of canopy  
**Cat. No. 50028**
- Side and Rear Wall Panels - Fiberglass panels are designed to contain spillage and block cross drafts  
**Cat. No. 23005**