

IC-200

Suitable for all thermoplastic materials such as acetylates, styrene, polycarbonate, PETG, acrylic glass, polystyrene, PVC, etc.



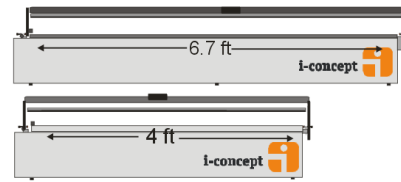
Abbeon Cal, Inc.
Industrial Plastic Working Equipment & Precision Instruments

Abbeon Cal, Inc.,
1363 Donlon Street Unit 1, Ventura, CA 93003-8387
800-922-0977 www.Abbeon.com
E-mail: abbeoncal@abbeon.com

IC-200



Up to 15mm material



1300mm (4 ft) and 2200mm (6.7 ft)

technical details IC200 series

**made
in
germany**



	weight	working length	Netz	Fuse
IC200-1300	29Kg	1280mm	210V-230V 50/60Hz 660W 120V Available	Fuse 5x20 3,14AT
IC200-2200	54Kg	2180mm	210V-230V 50/60Hz 1720W	Fuse 5x20 8AT

UL-Version USA
110V 50/60 Hz

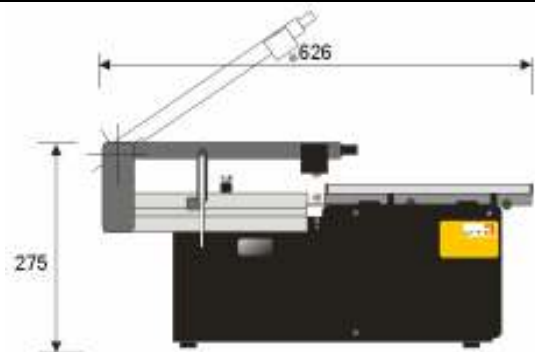
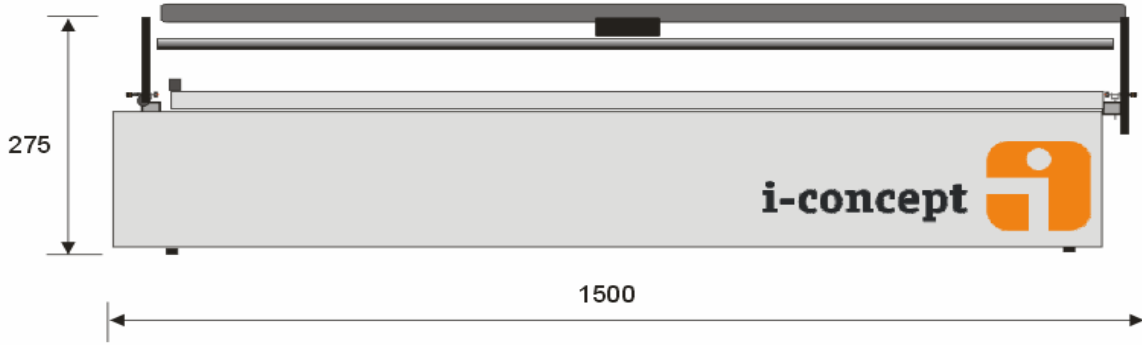


	IC200-1300	IC200-2200
Detachable end stop from 12 to 300 mm	x	x
Side lay	x	x
Digital Power display 0..100%	x	x
Temperature is infinitely adjustable	x	x
Heating wire is adjustable from - 8 to 20 mm	x	x
User manual	x	x

material	bending-temperature	Max thickness
ABS	100°C to 150°C	12mm
PC	150°C to 210°C	12mm
PMMA (Acryl)	120°C to 170°C	15mm
PS	100°C to 150°C	15mm
PVC-hard	110°C to 140°C	15mm
PET	120°C to 160°C	15mm

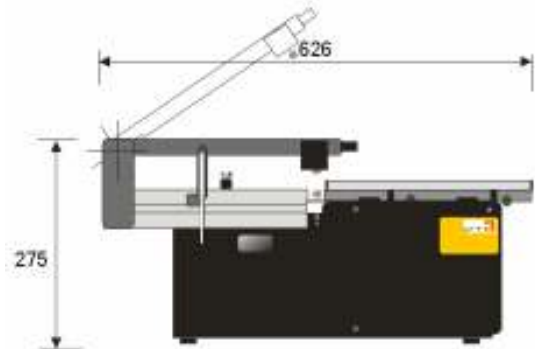
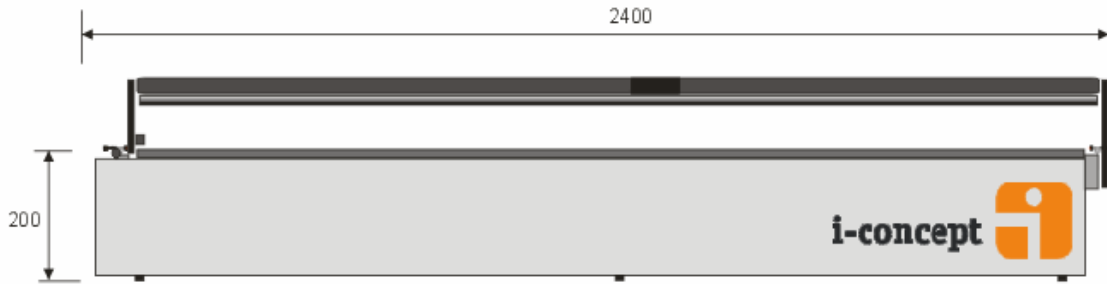
Packing 12mm Karton or OSB woodbox				
IC200-1300	Ca. 60kg	1520mm	659mm	310mm
IC200-2200	Ca. 80Kg	2424mm	659mm	310mm

IC200-1300



4' Model Price: \$3,900

IC200-2200



6.7' Model Price: \$5,900

