

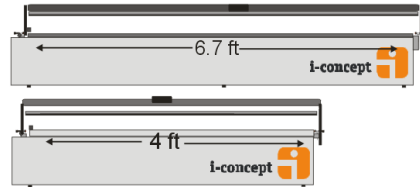


**Machines**

**IC-100**



Up to 6mm material

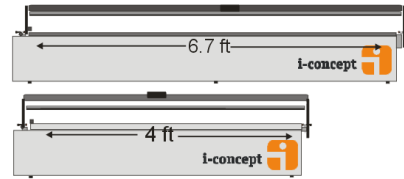


1300mm (4 ft) and 2200mm (6,7 ft)

**IC-200**



Up to 15mm material

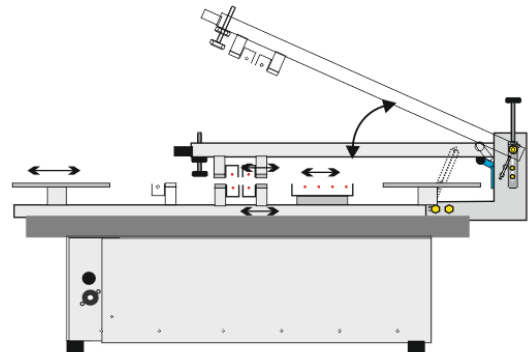


1300mm (4 ft) and 2200mm (6,7 ft)

**IC-1**



Four heatinglines. Extrem flexible devices  
1300mm (4 ft) and 2200mm (6,7 ft)



Zubehör

**IC-TR**



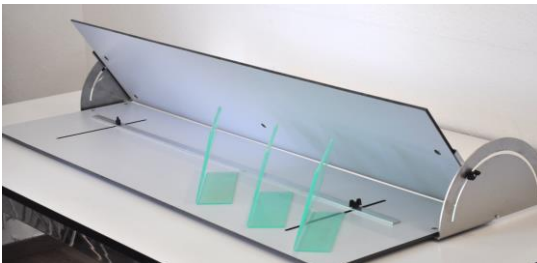
(IC-200-2200mm, IC-100-1300mm, Cooling angle)



IC-1-1300mm

One chassis for all devices. Level adjustable

**Colling angle**



**Abbeon Cal, Inc.**  
Industrial Plastic Working Equipment & Precision Instruments

**Abbeon Cal, Inc.,**  
1363 Donlon Street Unit 1, Ventura, CA 93003-8387  
800-922-0977 [www.Abbeon.com](http://www.Abbeon.com)  
E-mail: [abbeoncal@abbeon.com](mailto:abbeoncal@abbeon.com)