

INSTALLATION:

- Before beginning installation, read the entire instruction manual.
- The base unit comes delivered ready for use. Install alternating current power supply in accordance with the unit specifications as prescribed on the model shield (5). It is prohibited to use base unit without grounding!
- The base unit can be used in combination with the following regroover and thermocutter:

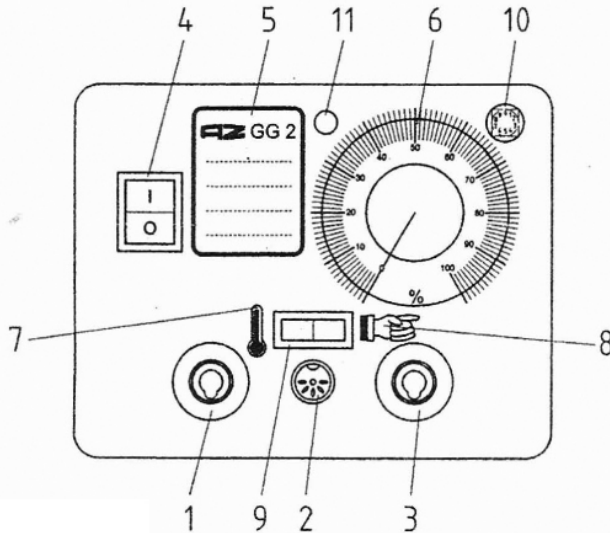
Regroover KZ 10:

To plug regroover in, use plug ports (1) and (3). Terminal connection (2) will remain unused. Adjust operator switch (9) to continuous mode of operation, (7). Unit will not run if set to manual (8)!

Thermocutter ZTS 24 or ZTS 25:

To plug in thermocutter, use plugs ports (1), (3), and terminal connection (2). Depending of the desired mode of operation, adjust operator switch (9) to either continuous (7), or to turn heating on or off using the switch located on the thermocutter handle adjust operator switch (9) to manual (8).

- It is prohibited to use cutter blades other than those supplied from manufacturer.
- Warm-up phase elapse time: During the warm-up phase, to reduce warm-up time, the blades are automatically pre-heated using maximum current. The warm-up phase elapse time can be adjusted using the potentiometer located inside base unit. To adjust the potentiometer (10), remove potentiometer cap and adjust to desired elapse time. Use the following table for elapse time and respective potentiometer settings. Factory setting: 0 sec.



Position	Warm-up Time
0	0 s
1	5 s
2	10 s
3	15 s
4	20 s
5-9	0 s

OPERATION:

- The temperature is monitored via pulse control operation. Use the operator adjustment knob (6) to adjust to desired temperature (depending of amount of cutting).
- Turn on main power switch (4)
- If the main power switch (4) pilot light fails to light up, check the fuse located on the back of the base unit, if necessary replace.
- Pilot light (11) : not in use

WARRANTY:

- 24 month warranty, Standard Business Terms and Agreements not withstanding. Return defective merchandise and copy of invoice to production plant. For delivery address, refer to page 2, production plant address.
- It is prohibited to use base unit other than as prescribed. Use of cutter other than as prescribed will result in the forfeit of all rights.

SAFETY PRECAUTIONS:

- Avoid contact with water, store in dry area.
- It is prohibited to open the base unit housing or cutter
- The integrated transformer can be set to three (3) different current outputs. The 115 V transformer comes factory set to 400 VA. In accordance with European Community Guide Lines and Regulations, base units within Europe can only be used with 250 VA. It is prohibited to adjust power output. For further details, please contact manufacturer.
- When setting the cutter down, place on nonflammable materials, i.e. glass, stone, etc., or use the handle mount (handle mounting assembly and mounting required). Before setting the cutter down, either turn off power by turning the operator switch (4) off or switch cutter to manual mode of operation by adjusting operator switch (9) to manual (8).
- It is prohibited to use the ZTS24 Thermocutter and KZ10 Regroover without heat resistance gloves.
- Ensure connect plugs in the respective ports (1) and (3).

TECHNICAL SPECIFICATIONS:

Model		GG 2 - 115 V		
Item number		70 496 01		
Voltage/frequency	V	115 / 60 Hz		
Safety rating	A	4.0		
Ambient temperature	°C	40		
ED	%	100		
Nominal output	VA	250	340	400
Amperage	A	2.46	3.42	3.90
Secondary voltage	V	1.9	2.1	2.3
Secondary amperage	A	135	161	175
Approx. weight:	11 kg			
Dimensions	L = 300 mm, W = 190 mm, H = 210 mm			

All rights reserved!