



Abbeon Cal, Inc.

Industrial Plastic Working Equipment & Precision Instruments

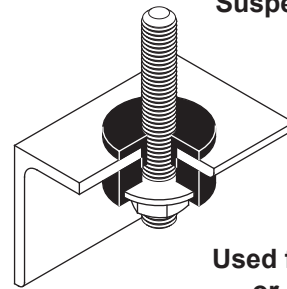
HMIB

Hanger Mount
Isolated
Bushing

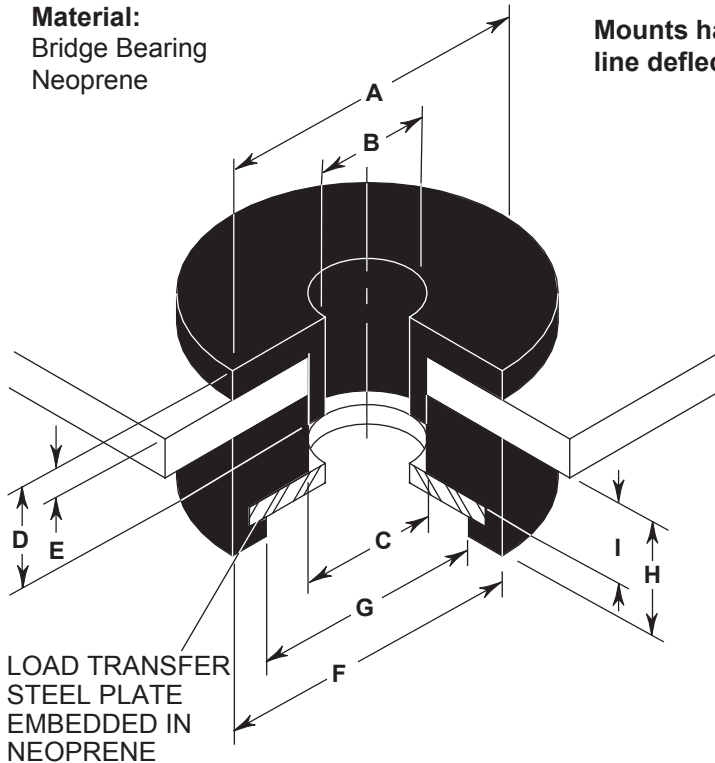
Material:
Bridge Bearing
Neoprene

Mounts have straight
line deflection curves.

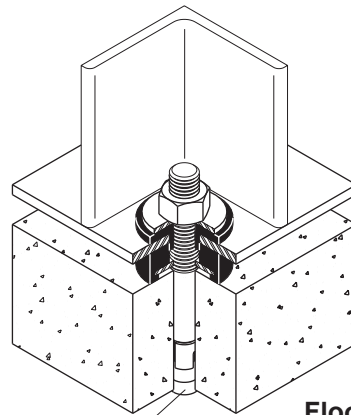
Suspended Isolation



Used for Suspended
or Floor Mounted
Equipment



LOAD TRANSFER
STEEL PLATE
EMBEDDED IN
NEOPRENE



CONCRETE
ANCHOR

**Floor Mounted
Isolation**

TYPE HMIB DIMENSIONS

Size	A (in)(mm)	B (in)(mm)	C (in)(mm)	D (in)(mm)	E (in)(mm)	F (in)(mm)	G (in)(mm)	H (in)(mm)	I (in)(mm)	Rated Load (lbs)(kgs)	Rated Defl. (in) (mm)
HMIB-1/4	1 25	1/4 6	1/2 13	3/8 10	1/8 3	1 1/2 38	1 25	1/2 13	3/8 10	60 27	.075 1.9
HMIB-3/8	1 1/4 32	3/8 10	5/8 16	1/2 13	1/8 3	1 3/4 45	1 1/4 32	5/8 16	1/2 13	70 32	.095 2.4
HMIB-1/2	1 5/8 41	1/2 13	3/4 19	1/2 13	1/8 3	1 3/4 45	1 1/4 32	5/8 16	1/2 13	100 45	.095 2.4
HMIB-5/8	2 51	5/8 16	7/8 22	5/8 16	3/16 5	2 51	1 1/2 38	3/4 19	1/2 13	120 54	.110 2.8

Abbeon Cal, Inc.,

1363 Donlon Street Unit 1, Ventura, CA 93003-8387

800-922-0977 www.Abbeon.com

E-mail: abbeoncal@abbeon.com