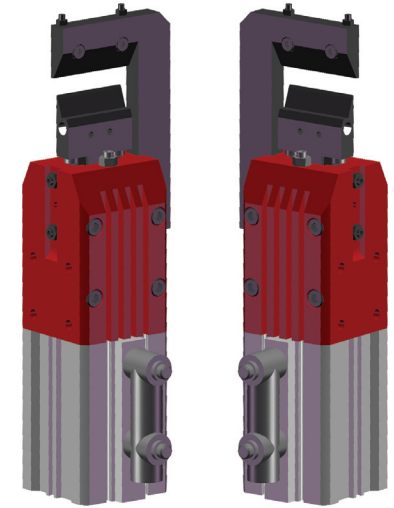
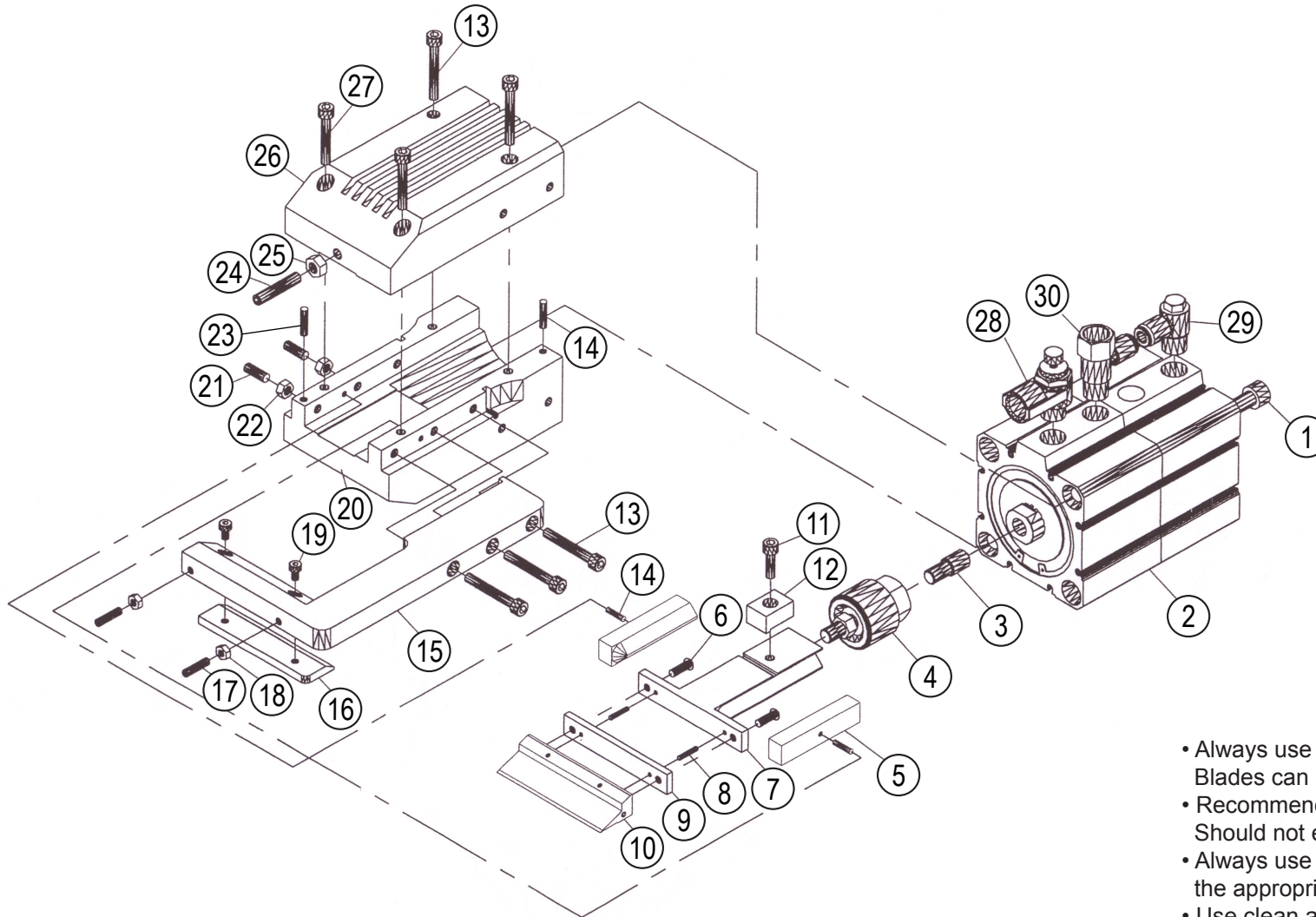


# TC-63L & TC-63R

## EXPLODED DIAGRAM DRAWING & PARTS LIST



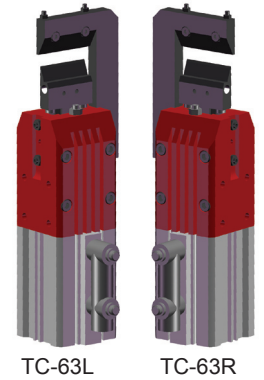
TC-63L

TC-63R

- Always use in a safe and appropriate manner. Blades can be easily damaged if used improperly.
- Recommended air pressure 60~80 PSI. Should not exceed 100 PSI.
- Always use this and all power tools with the appropriate gear (IE goggles, gloves, ect.)
- Use clean air. Excessive oil and moisture will compromise the life of tools.

# TC-63L & TC-63R

## EXPLODED DIAGRAM DRAWING & PARTS LIST



TC-63L TC-63R

PART #	DESCRIPTION	PRICE
TC-63L	THRUST CUT NIPPER LEFT, STANDARD	\$2150.00
TC-63R	THRUST CUT NIPPER STANDARD, RIGHT	\$2150.00

REF #	PART NO	DESCRIPTION	QTY REQ	PRICE	REF #	PART NO	DESCRIPTION	QTY REQ	PRICE
1	A-13093	SCREW, METRIC - S.S. M8, SHD(100), 130, SKT (SS)	2	\$6.00	16	A-13057	ANVIL, FOR RIGHT AND LEFT MODELS (TC-63R & TC-63L)	1	\$66.50
2	A-13092	CYLINDER TC-63L(R)	1	\$552.56	46	A-13058	ANVIL, LEFT TC-63L *** DISCONTINUED*** USE A-13057	4	<del>\$66.50</del>
3	A-13043	STUD TC-63L(R)	1	\$4.32	17	A-13059	SCREW, METRIC - S.S. M4, SET, 16, SKT(M3) (SS)	2	\$0.50
4	A-13044	FLOATING JOINT, SMC TC-63L(R)	1	\$112.41	18	A-12775	NUT, HEX (M4 - S.S.) TC-40L(R)/TC-63L(R)	2	\$0.50
5	A-13045	SLIDE BLOCK TC-63L(R)	2	\$28.95	19	A-13054	SCREW, MOD TO 1/4 LOW HEAD CAP TC-63L(R)	2	\$1.50
6	A-13046	SCREW, METRIC - STEEL W/ BL OX M4, BUT, 12, SKT(M3)	2	\$0.50	20	A-13061	BOTTOM BLOCK TC-63L(R)	1	N/A
7	A-13047	BLADE SLIDE TC-63L(R)	1	\$251.54	21	A-13062	SCREW, METRIC - STEEL W/ BL OX M5, SET, 14, SKT	2	\$0.50
8	A-13048	PIN, DOWEL 3/32 X 1/2 TC-63L(R)	2	\$0.50	22	A-12778	NUT, HEX (M5 - S.S.) TC-40L(R)/TC-63L(R)	2	\$0.50
9	A-13049	INSULATING BLOCK TC-63L(R)	1	\$27.28	23	A-13064	PIN, DOWEL 3MM X 12MM TC-63L(R)	2	\$0.50
10	A-13050	BLADE, 3`` HIGH SPEED STEEL TC-63L(R)	1	\$297.60	24	A-13065	SCREW, METRIC - STEEL W/ BL OX M6, SET, 30, SKT	1	\$0.50
11	A-13051	SCREW, METRIC - STEEL W/ZN PLT M5, CAP, 16, SKT	1	\$0.50	25	A-13066	NUT, HEX (M6 - S.S.) TC-63L(R)	1	\$0.50
12	A-13052	STOP BLOCK TC-63L(R)	1	\$27.08	26	A-13067	TOP BLOCK TC-63L(R)	1	N/A
13	A-13053	SCREW, METRIC - STEEL W/ BL OX M5, SHD(10), 35, SKT(M4)	5	\$0.50	27	A-13068	SCREW, METRIC - S.S. M5, SHD(5), 30, SKT(0.8 PITCH)	2	\$0.50
14	A-13070	PIN, DOWEL 4MM X 16MM TC-63L(R)	2	\$0.50	28	A-13069	FLOW CONTROL TC-63L(R)	1	\$31.90
15	A-13974	ANVIL MOUNT, UNI-FIT (TC-63L & TC-63R)	1	\$240.00	29	A-13104	FITTING, ELBOW (PISCO) TC-63L(R)	1	\$7.36
					30	A-13105	FITTING,FEM UNIV ELBOW (PISCO) TC-63L(R)	1	\$11.35

PART #	DESCRIPTION	PRICE
HC-20-63	HEAT CONTROLLER FOR (1) TC-63 INCL: (1)A-13241 & (1)A-13242	\$550.00
HC-20-63-2	HEAT CONTROLLER FOR (2) TC-63 INCL: (2)A-13241 & (1)A-13242	\$650.00
HC-30-63-3	HEAT CONTROLLER FOR (3) TC-63 INCL: (3)A-13241 & (1)A-13242	\$850.00
HC-30-63-4	HEAT CONTROLLER FOR (4) TC-63 INCL: (4)A-13241 & (1)A-13242	\$950.00
HC-30-63-5	HEAT CONTROLLER FOR (5) TC-63 INCL: (5)A-13241 & (1)A-13242	\$1050.00
HC-30-63-6	HEAT CONTROLLER FOR (6) TC-63 INCL: (6)A-13241 & (1)A-13242	\$1150.00



Abbeon Cal, Inc.  
 123 Gray Avenue  
 Santa Barbara, CA 93101-1809  
 www.abbeon.com  
 E-mail: abbeoncal@abbeon.com