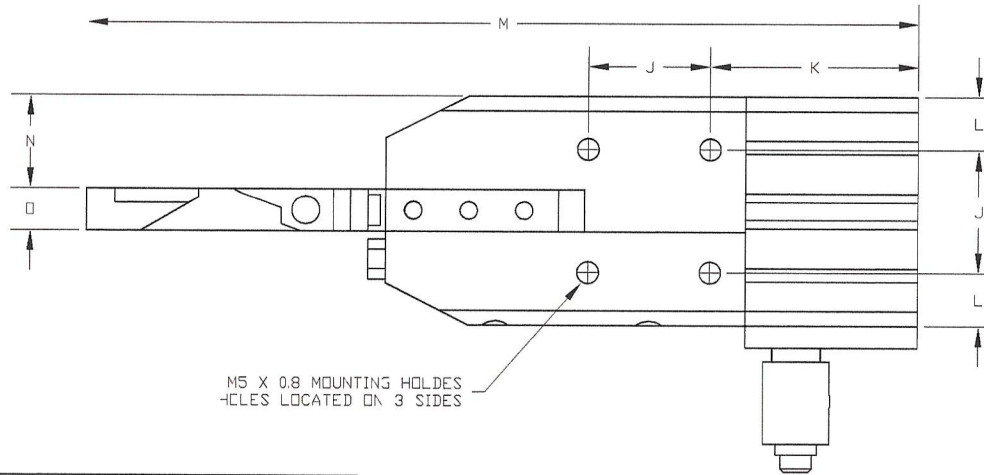
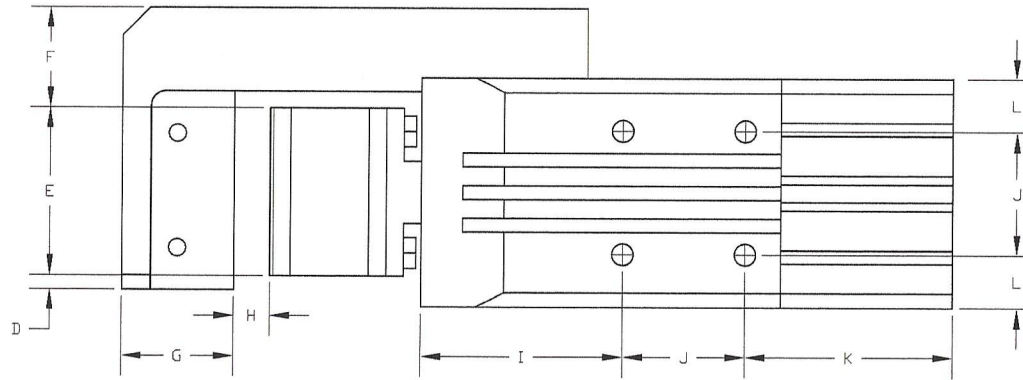
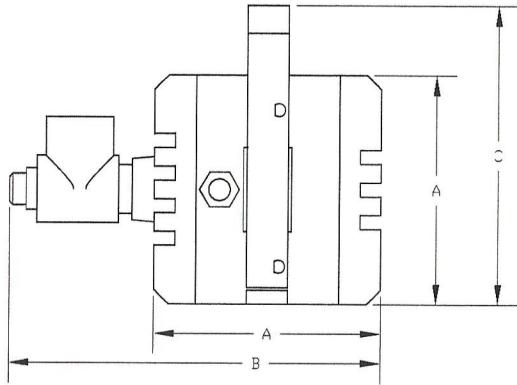
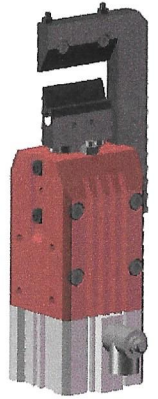


# TC-40L & TC-40R

## THRUST-CUT NIPPER DIMENSIONS



M5 X 0.8 MOUNTING HOLES  
HOLES LOCATED ON 3 SIDES



ALL DIMENSIONS IN MM															
MODEL	A	B	C	D	E	F	G	H	I	J	K	L	M	N	O
TC-40	52.0	86	67.9	3.2	38.1	22.8	25.7	9.0	46.3	28.0	47.7	12.0	190.6	21.2	9.5